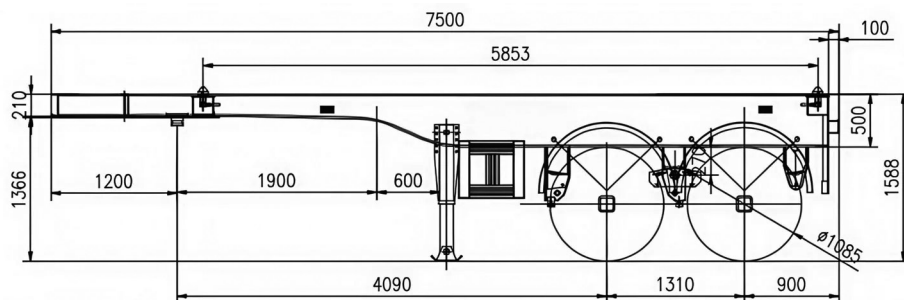


## 20 Foot Skeletal Semi Trailer

20 foot skeletal semi trailer is also called 20 foot skeleton semi trailer or 20 foot container chassis. They are widely used to transport 20 foot containers around the world.



## **Specifications:**

---

**Dimensions(mm):** 7500\*2500\*1588

**Payload:** 50 tons, depends on the number of axles and the loading capacity of the axles

**Main Beams:** Heavy duty and extra durability designed I beams. Made of high tensile Q345B steel, Top flange 14 mm thick, bottom 16 mm; web height 500 mm, 8 mm thick

**Kingpin:** 50#(2inch) or 90#(3.5inch) bolt-in type

**Landing Gear:** 28 ton landing gears with two mechanical speeds. Dynamic: 28 tons; Static 80 tons

**Axles:** 2 or 3 axles, 13 ton / 14 ton / 15 ton / 16 ton / 20 ton axles

**Suspensions:** mechanical suspensions or air suspensions

**Springs:** 10 lines of heavy duty leaf springs

**Brake System:** Dual air brake system

**Rims:** 9.00-22.5 or 9.75-22.5, 12 units

**Tires:** 12.00R22.5, 12 units

**Electrical:** 24 V Lighting system, 7 pole distribution cable and required hardware for traffic regulations

**Twist Locks:** Four ISO twist locks

**Accessories:** spare tire carrier + tool box

**Painting:** Sandblasting, one coat of primer, two coats of finish painting, and color as per customer's request.